



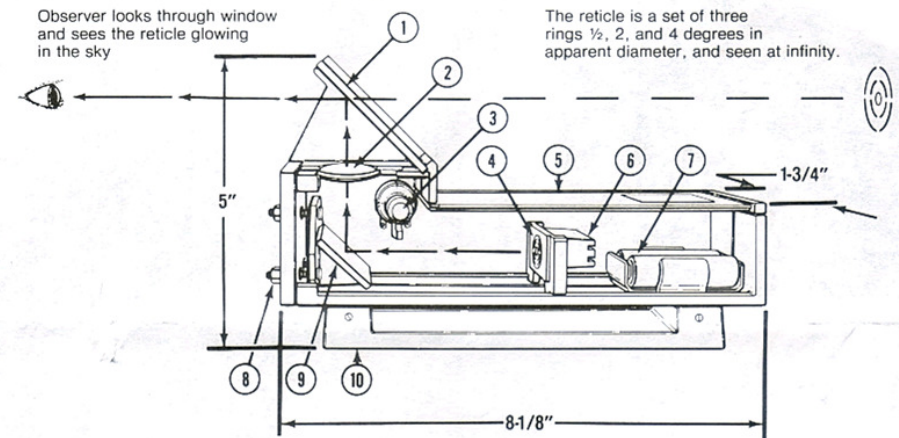
To see objects through a telescope it must be pointed to exactly the right spot. The Telrad® is a sight for pointing telescopes to that "right spot".

Through a Telrad® you see the sky the way the star charts show it. Not a small upside-down and magnified portion of it, but the "real sky" with three lighted target rings set against it. The large ring is 4 degrees across. It outlines the area covered by a finderscope. The small ring is ½ degree across and outlines the area seen in the telescope.

Select an object on the chart and note its position among the visible stars. Then set the Telrad® rings on that spot in the sky. A quick rough setting will put the object in the field of a finderscope. With no finder, or a faint object that won't show, use a more careful setting to put the object in the field of the telescope.

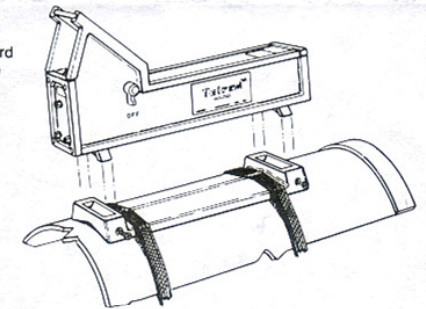
The Telrad® is 8 inches long, weighs 11 ounces and mounts on any telescope without drilling holes. It unlocks from its base for separate storage.

## USING THE TELRAD®



- ① Clear glass window reflects reticle image into observer's eye.
- ② Lens.
- ③ Reticle brightness control.
- ④ Reticle. Note: Do not let the sun shine directly into the lens because it will burn the reticle. To replace the reticle, peel off the old one and glue a new one in place with the glossy side toward the lens.
- ⑤ Cover plate—slide off to reach battery holder.
- ⑥ Red light emitting diode (LED).
- ⑦ Two size AA batteries. Note: If batteries are installed with polarity reversed, the LED will not light.
- ⑧ Adjustment screws to allow reticle image to be aligned with the telescope's field of view.
- ⑨ Front surface mirror.
- ⑩ Mounting base. The Telrad® unlocks from the base by loosening the two side screws. Either bolt the base to the telescope or lash it on with several turns of heavy cotton cord as shown. Extra mounting bases are available for using one Telrad® with several telescopes. Keep the Telrad® in its box when not in use.

Telrad® with mounting base.....	\$47.95
<small>(2AA cells not included)</small>	
Mounting base only .....	8.50
Reticle .....	3.00
Cal. residents add 6% sales tax	
Shipping in U.S. for Telrad®.....	2.50
Base ordered separately .....	1.25
<small>Reticle shipped postage paid</small>	



Steve Kufeld 7092 Betty Dr. Huntington Beach, Cal. 92647 U.S.A. 714-847-8903